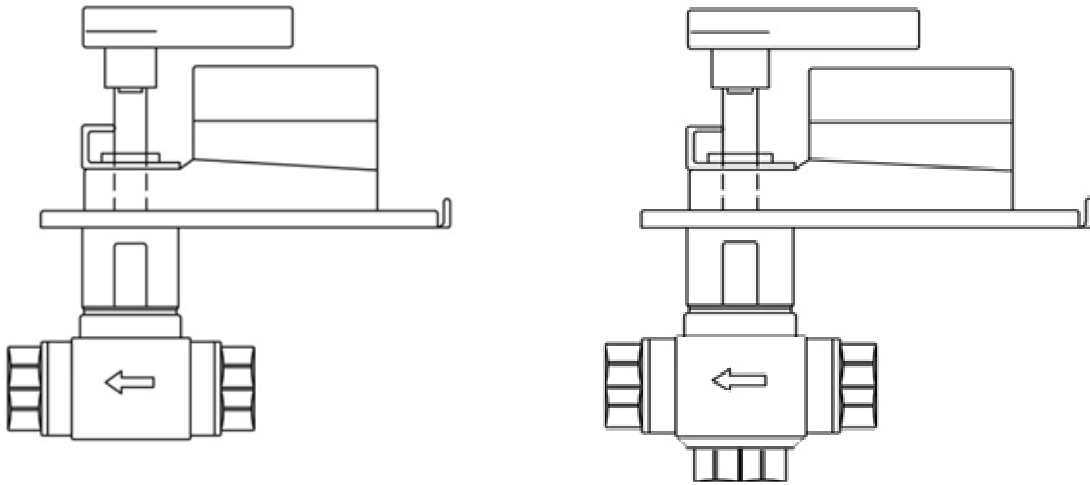


# ATC Ball Valves

## 2-Way and 3-Way Ball Valves



### Standard Features

**Line Sizes:** 1-1/4" - 2"

**Body Style:** Ball

- ◆ 1/4 turn rotary control valves designed to be coupled with an OpenAir actuator.
- ◆ Universal mounting plate accommodates different actuator sizes.
- ◆ Variety of ball sizes and flow coefficients.
- ◆ Actuator and plate can be rotated to facilitate installation and wiring.
- ◆ Standoffs and mounting plate provide thermal barrier between the actuator and valve.
- ◆ Plastic mounting plate, extension and handle do not condensate.
- ◆ Operating handle can be manually operate valve in event of power failure.

### Valve Body

<b>Flow Characteristic:</b>	Equal %
<b>Body:</b>	Brass
<b>Ball:</b>	Chrome Plated Brass
<b>Ball Seals:</b>	Glass-filled PTFE with EPDM O-rings
<b>Flow Optimizer:</b>	Glass-filled PTFE
<b>Stem:</b>	Brass, Double O-ring, Blow-out proof
<b>Stem Seals:</b>	Brass, Double O-ring, Blow-out proof
<b>Angle of Rotation:</b>	0 to 90 degrees
<b>Medium:</b>	Water, Glycol Solns. to 50%
<b>Medium Temp Range:</b>	35°F to 250°F (2°C to 121°C)
<b>Static Pressure/Temp:</b>	360 psig/250°F (600 WOG)
<b>Close Off Ratings:</b>	200 psi for all 2-way, 40 psi for all 3-way

### Fail Safe Actuators

<b>Voltage:</b>	24 Vac +/- 20%
	24 Vdc +/- 15%
<b>Frequency:</b>	50/60 Hz
<b>Power Consumption:</b>	5 VA running, 4 VA holding
<b>Run Time:</b>	90 seconds
<b>Spring Return:</b>	15 sec. (typical)
<b>Running Torque:</b>	62 lb.
<b>Enclosure:</b>	NEMA 1

### 3 Pt. Floating/ 0-10Vdc ACTUATORS (Non-Fail Safe)

<b>Voltage:</b>	24 Vac +/- 20%, 15%
<b>Frequency:</b>	50/60 Hz
<b>Power Consumption:</b>	3.3 VA
<b>Run Time:</b>	1-1/4" 2-way & 3-way: 90 sec. 1-1/2" - 2" 2-way & 3-way: 125 sec.
<b>Running Torque:</b>	1-1/4" 2-way & 3-way: 44 lb. 1-1/2" - 2" 2-way & 3-way: 88 lb.
<b>Enclosure:</b>	NEMA 1