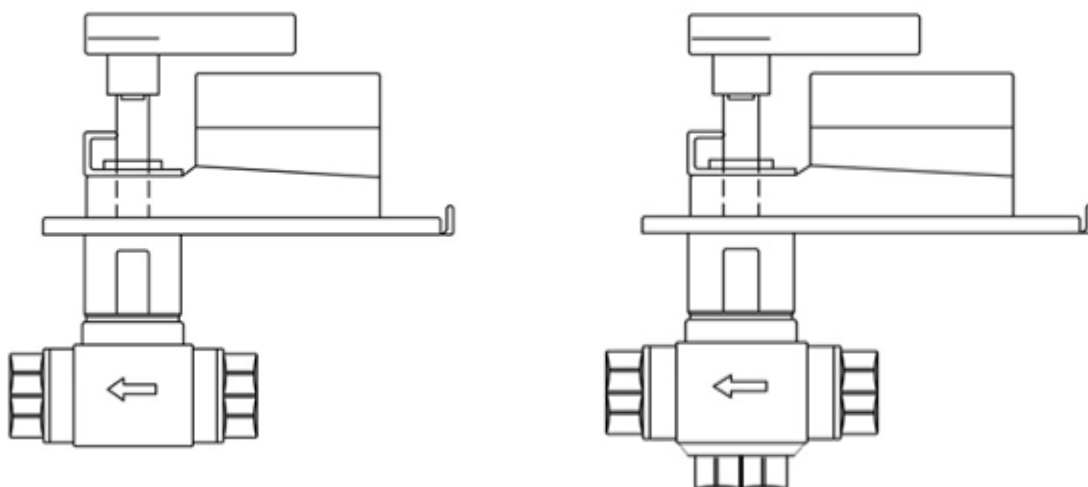


ATC Ball Valves

2-Way and 3-Way Ball Valves



Standard Features

Line Sizes: 1-1/4" - 2"

Body Style: Ball

- ◆ 1/4 turn rotary control valves designed to be coupled with an OpenAir actuator.
- ◆ Universal mounting plate accommodates different actuator sizes.
- ◆ Variety of ball sizes and flow coefficients.
- ◆ Actuator and plate can be rotated to facilitate installation and wiring.
- ◆ Standoffs and mounting plate provide thermal barrier between the actuator and valve.
- ◆ Plastic mounting plate, extension and handle do not condensate.
- ◆ Operating handle can manually operate valve in event of power failure.

Valve Body

Flow Characteristic: Equal %
Body: Brass ASTM B283, C37700
Ball: Chrome Plated Brass
Ball Seals: Glass-filled PTFE with EPDM O-rings
Flow Optimizer: Glass-filled Polymer
Stem: Brass, Double O-ring, Blow-out proof
Stem Seals: Brass, Double O-ring, Blow-out proof
Angle of Rotation: 0 to 90 degrees
Medium: Water, Glycol Solns. to 50%
Medium Temp Range: 35°F to 250°F (2°C to 121°C)
Static Pressure/Temp: 360 psig/250°F
Close Off Ratings: 200 psi for all 2-way, 200 psi for all 3-way

Fail Safe Actuators (GMA is 1/2" - 2") (GQD 1-2" - 3/4")

Voltage: 24 Vac +/- 20%
 24 Vdc +/- 15%
Frequency: 50/60 Hz
Power Consumption: 5 VA running, 4 VA holding
Run Time: 90 seconds
Spring Return: 15 sec. (typical)
Running Torque: 62 lb.
Enclosure: NEMA 1

3 Pt. Floating/ 0-10Vdc ACTUATORS (Non-Fail Safe) (GDE 1/2" - 1-1/4" GLB 1-1/2" - 2")

Voltage: 24 Vac +/- 20%, 15%
Frequency: 50/60 Hz
Power Consumption: 3.3 VA
 (Modulating) 2.3 Va Floating
Run Time: 1-1/4" 2-way & 3-way: 90 sec.
 1-1/2" - 2" 2-way & 3-way: 150 sec.
Running Torque: 1-1/4" 2-way & 3-way: 44 lb.
 1-1/2" - 2" 2-way & 3-way: 88 lb.
Enclosure: NEMA 2