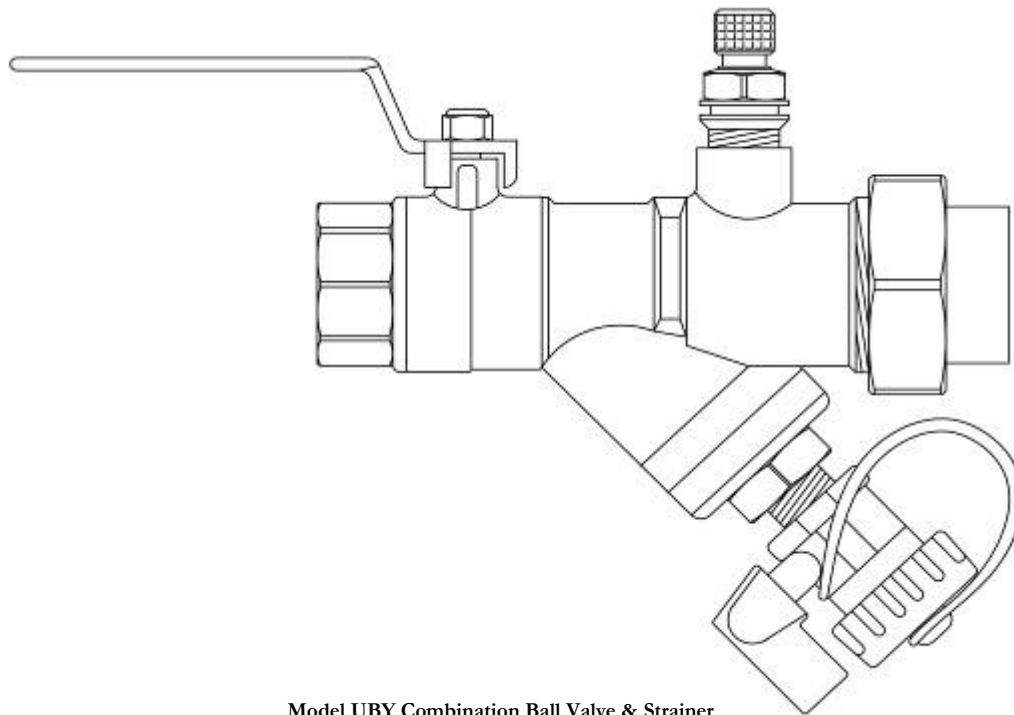


## Model UBY Combination Ball Valve & Strainer (1/2" - 2")

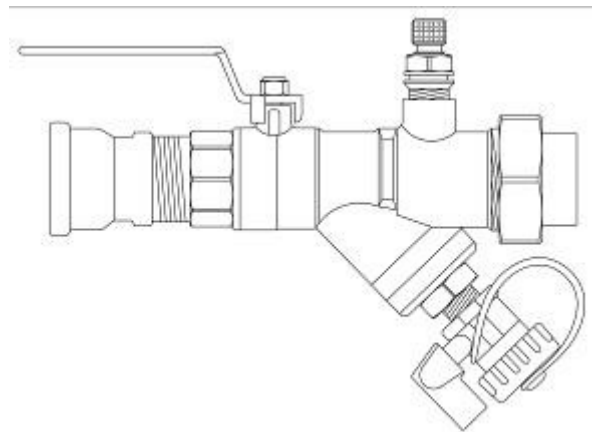


Model UBY Combination Ball Valve & Strainer

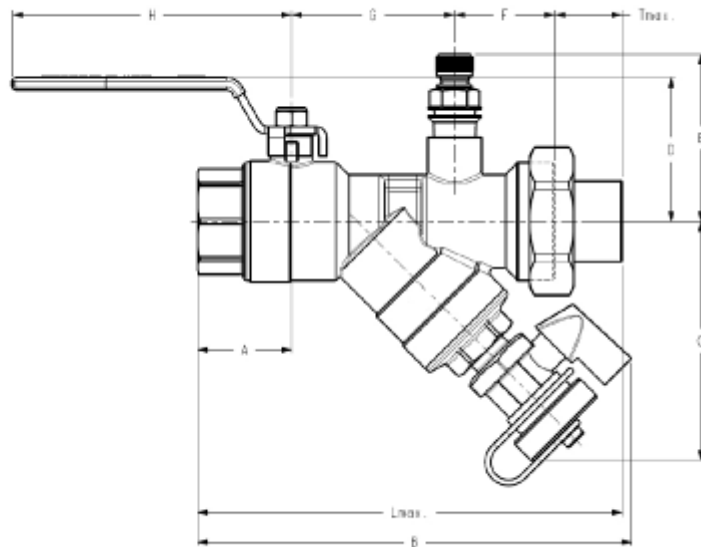
<b>Body:</b>	Brass
<b>Ball:</b>	Full Port Chrome Plated
<b>Ball Seal:</b>	PTFE
<b>Stem:</b>	Stainless Steel Explosion Proof
<b>O-Rings:</b>	EPDM
<b>Strainer:</b>	20 Mesh Stainless Steel

<b>Maximum Working Pressure:</b>	400 psig
<b>Maximum Operating Temp:</b>	-4° F to 250° F

Note: For a 2-1/2" kit a 2" UBY is supplied with a 2-1/2" NPT expanding coupler.



**UBY**



**NOTE: THIS IS THE DEFAULT MODEL IF NO ADDITIONAL PT PORTS OR BYPASS IS REQUIRED.**

Valve Size Fixed End	Connection Fixed End	Cv	DIMENSIONS* INCH (mm)												Approx. Weight Lbs. (kg)
			A	B	C	D	E	F	G	H	J	K	T (Max)	L (Max)	
½"	Sweat Female	7.4	1.303 (33.1)	5.417 (137.59)	2.918 (74.12)	1.672 (42.46)	1.92 (48.77)	1.135 (28.82)	1.872 (47.56)	3.533 (89.74)	1.375 (34.93)	0.688 (17.46)	.6 (15.24)	7.140 (181.24)	1.5 (.68)
½"	NPT Female	7.4	1.055 (26.8)	5.169 (131.29)	2.918 (74.12)	1.672 (42.46)	1.92 (48.77)	1.135 (28.82)	1.872 (47.56)	3.533 (89.74)	1.375 (34.93)	0.688 (17.46)	.650 (16.51)	7.19 (182.63)	1.5 (.68)
¾"	Sweat Female	8	1.559 (39.6)	5.865 (148.96)	3.024 (76.82)	1.819 (46.2)	2.114 (53.7)	1.27 (32.25)	2.064 (52.43)	3.533 (89.74)	1.66 (42.16)	0.83 (21.08)	.85 (21.59)	7.717 (196)	1.81 (.82)
¾"	NPT Female	8	1.189 (30.2)	5.494 (139.56)	3.024 (76.82)	1.819 (46.2)	2.114 (53.7)	1.27 (32.25)	2.064 (52.43)	3.533 (89.74)	1.66 (42.16)	0.83 (21.08)	.8 (20.32)	7.667 (194.74)	1.81 (.82)
1"	Sweat Female	16	1.846 (46.9)	7.13 (181.1)	4.029 (102.33)	2.126 (54)	2.323 (59)	1.332 (33.83)	2.603 (66.11)	4.288 (108.93)	1.910 (48.51)	.955 (24.26)	1.010 (25.65)	9.233 (234.52)	3.06 (1.63)
1"	NPT Female	16	1.421 (36.1)	6.704 (170.29)	4.029 (102.33)	2.126 (54)	2.323 (59)	1.332 (33.83)	2.603 (66.11)	4.288 (108.93)	1.910 (48.51)	.955 (24.26)	.900 (22.86)	9.123 (231.72)	3.06 (1.63)
1¼"	Sweat Female	18	2.17 (55)	7.89 (200.4)	4.374 (111.1)	2.882 (73.2)	2.475 (62.87)	1.561 (39.65)	3.105 (78.87)	5.158 (131.02)	2.43 (61.72)	1.215 (30.86)	1.070 (27.18)	10.894 (276.71)	4.44 (2.01)
1¼"	NPT Female	18	1.634 (41.5)	7.357 (186.87)	4.374 (111.1)	2.882 (73.2)	2.475 (62.87)	1.561 (39.65)	3.105 (78.87)	5.158 (131.02)	2.43 (61.72)	1.215 (30.86)	1.00 (25.4)	10.824 (274.93)	4.44 (2.01)
1½"	Sweat Female	46	2.41 (61.2)	9.16 (232.6)	4.923 (125.04)	3.12 (79.12)	2.72 (69)	1.815 (46.11)	4.227 (107.37)	5.16 (131)	2.82 (71.63)	1.41 (35.81)	1.23 (31.24)	12.432 (315.77)	7.25 (3.29)
1½"	NPT Female	46	1.83 (46.5)	8.58 (217.9)	4.923 (125.04)	3.12 (79.12)	2.72 (69.)	1.815 (46.11)	4.227 (107.37)	5.16 (131)	2.82 (71.63)	1.41 (35.81)	1.250 (31.75)	12.452 (316.28)	7.25 (3.29)
2"	Sweat Female	54	2.943 (74.74)	10.16 (258.1)	5.368 (136.35)	3.72 (94.5)	2.961 (75.21)	1.897 (48.19)	4.441 (112.81)	6.58 (167.13)	3.5 (88.9)	1.75 (44.45)	1.48 (37.59)	14.398 (365.71)	10 (4.54)
2"	NPT Female	54	2.185 (55.5)	9.4 (238.8)	5.368 (136.35)	3.72 (94.5)	2.961 (75.21)	1.897 (48.19)	4.441 (112.81)	6.58 (167.13)	3.50 (88.9)	1.75 (44.45)	1.170 (29.72)	14.088 (357.84)	10 (4.54)

\*All dimensions +/- 0.125 (3.2 mm) tolerance. Dimensions are subject to change. Not to be used for construction purposes unless certified.

**WARNING:** To insure proper installation this product must be installed in conformance with applicable building codes. Use of proper torque wrench is required.

