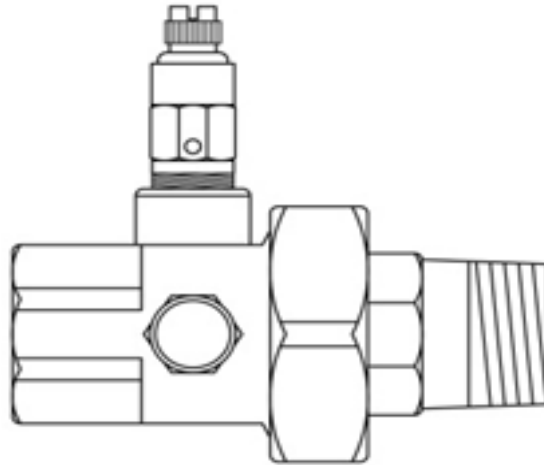


Model UA - Union Accessory (1/2" - 2")



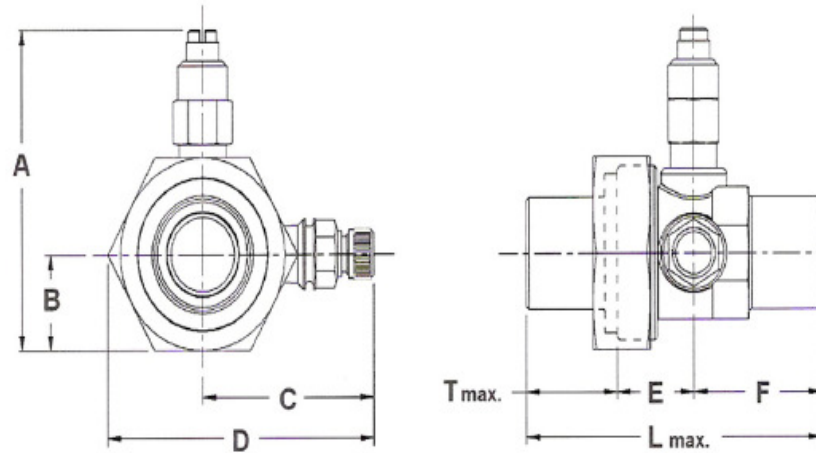
Model UA - Union Accessory

Body: C37000 Brass
Taps: Two 1/4" NPT spaced 90° apart
O-Rings: EPDM

Maximum Working Temperature: 400 psig
Temperature Range: -4° F to 250° F

WARNING: To insure proper installation this product must be installed in conformance with applicable building codes. Use of proper torque wrench is required.

UA



Valve Size Fixed End	Connection Fixed End	DIMENSIONS* INCH (mm)								Approx. Weight Lbs.
		A	B	C	D	E	F	T (Max)	L (Max)	
½"	Sweat Female	2.76 (70.1)	0.73 (18.4)	1.95 (49.4)	2.76 (70.0)	0.89 (22.6)	1.22 (30.9)	1.55 (39.4)	3.66 (92.9)	1.1 (0.5)
½"	NPT Female	2.76 (70.1)	0.73 (18.4)	1.95 (49.4)	2.76 (70.0)	0.89 (22.6)	1.08 (27.4)	1.55 (39.4)	3.52 (89.4)	1.2 (0.5)
½"	NPT Male	2.76 (70.1)	0.73 (18.4)	1.95 (49.4)	2.76 (70.0)	1.08 (27.4)	1.78 (45.2)	1.55 (39.4)	4.41 (112.0)	1.5 (0.7)
¾"	Sweat Female	2.98 (75.6)	0.88 (22.2)	2.01 (51.1)	2.96 (75.2)	0.86 (21.8)	1.28 (32.5)	1.55 (39.4)	3.59 (93.7)	1.3 (0.6)
¾"	NPT Female	2.98 (75.6)	0.88 (22.2)	2.01 (51.1)	2.96 (75.2)	0.86 (21.8)	1.18 (29.8)	1.55 (39.4)	3.59 (91.0)	1.4 (0.6)
¾"	NPT Male	2.98 (75.6)	0.88 (22.2)	2.01 (51.1)	2.96 (75.2)	1.12 (28.4)	1.69 (42.9)	1.55 (39.4)	4.36 (110.7)	1.8 (0.8)
1"	Sweat Female	3.19 (81.1)	0.97 (24.6)	2.14 (54.2)	3.19 (80.9)	0.89 (22.7)	1.51 (38.4)	2.00 (50.8)	4.41 (111.9)	1.6 (0.7)
1"	NPT Female	3.19 (81.1)	0.97 (24.6)	2.14 (54.2)	3.19 (80.9)	0.89 (22.7)	1.23 (31.2)	2.00 (50.8)	4.96 (104.7)	1.8 (0.8)
1¼"	Sweat Female	3.73 (94.7)	1.24 (31.6)	2.40 (60.8)	3.80 (96.5)	1.08 (27.3)	1.89 (47.9)	2.00 (50.8)	4.12 (126.0)	2.4 (1.1)
1¼"	NPT Female	3.73 (94.7)	1.24 (31.6)	2.40 (60.8)	3.80 (96.5)	1.08 (27.3)	1.25 (31.6)	2.00 (50.8)	4.3 (109.7)	2.5 (1.1)
1½"	Sweat Female	4.06 (103.1)	1.50 (38.1)	2.47 (62.7)	4.15 (105.5)	1.13 (28.6)	1.88 (47.6)	2.52 (64.0)	5.52 (140.2)	3.4 (1.5)
1½"	NPT Female	4.06 (103.1)	1.50 (38.1)	2.47 (62.7)	4.15 (105.5)	1.13 (28.6)	1.50 (38.1)	2.52 (64.0)	5.15 (130.7)	3.6 (1.6)
2"	Sweat Female	4.79 (120.9)	1.88 (47.8)	2.79 (70.9)	4.74 (120.4)	1.10 (27.9)	1.94 (49.2)	3.14 (79.8)	6.2 (156.9)	5.0 (2.3)
2"	NPT Female	4.79 (120.9)	1.88 (47.8)	2.79 (70.9)	4.74 (120.4)	1.10 (27.9)	1.65 (41.9)	3.14 (79.8)	5.89 (149.6)	5.6 (2.5)

*All dimensions +/- 0.125 (3.2 mm) tolerance. Dimensions are subject to change. Not to be used for construction purposes unless certified.