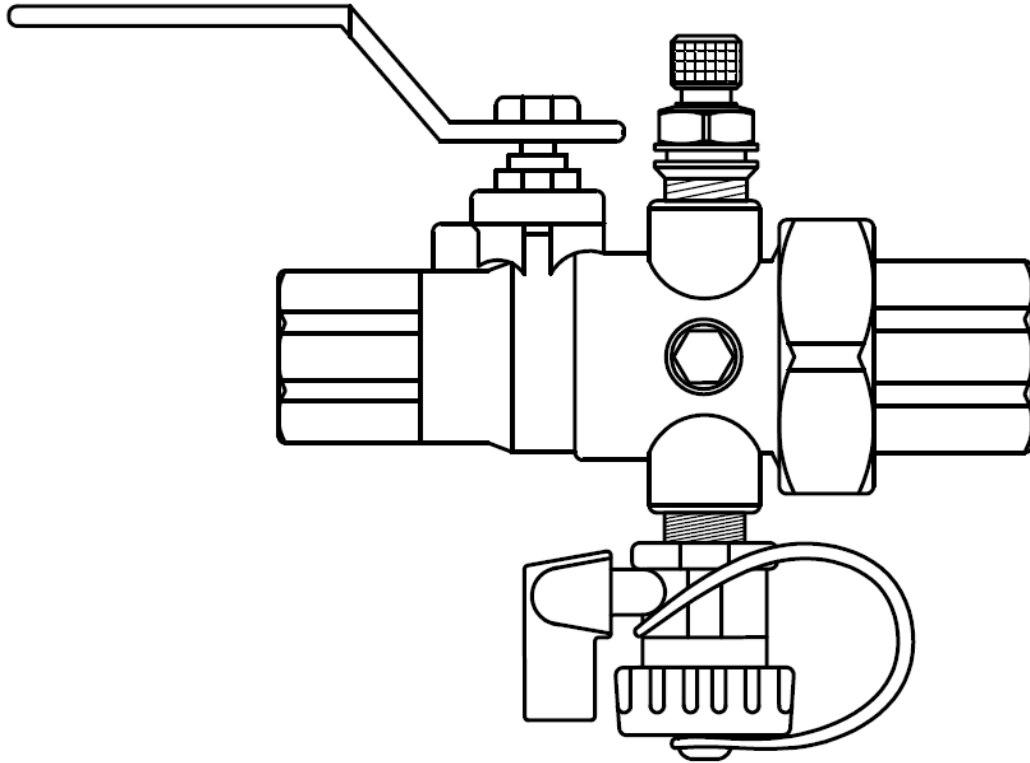


Model UBV Shut-Off Valve (1/2" - 2")



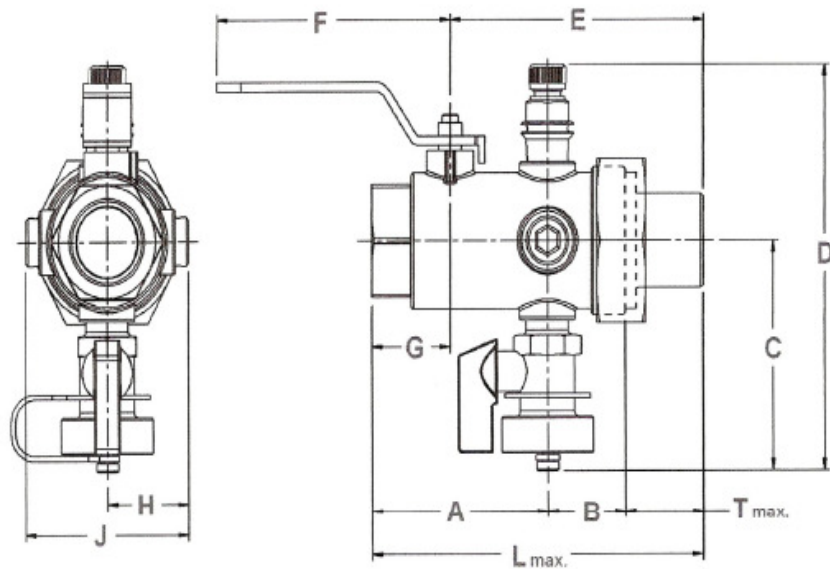
Model UBV Shut-Off Valve

Body:	C37000 Brass
Ball:	Chrome Plated
Ball Seal:	Teflon®
Stem:	Explosion Proof
O-Rings:	EPDM
Handle:	Chrome Plated Steel w/ Plastic Cover
Taps:	Three Total 1/4" NPT - 1 Plugged - 1 Drain Valve - 1 Pressure/Temperature Port

Maximum Working Temperature:	400 psig
Temperature Range:	-4° F to 250° F

WARNING: To insure proper installation this product must be installed in conformance with applicable building codes. Use of proper torque wrench is required.

UBV



Valve Size Fixed End	Connection Fixed End	DIMENSIONS* INCH (mm)											Approx. Weight Lbs.
		A	B	C	D	E	F	G	H	J	T (Max)	L (Max)	
½"	Sweat Female	2.02 (51.3)	0.40 (10.2)	2.525 (64.1)	4.58 (116.2)	3.54 (89.9)	3.38 (85.7)	1.03 (26.3)	0.90 (22.9)	1.81 (45.8)	1.55 (39.4)	3.97 (100.9)	1.6 (0.7)
½"	NPT Female	2.00 (50.9)	0.40 (10.2)	2.525 (64.1)	4.58 (116.2)	3.54 (89.9)	3.38 (85.7)	1.02 (25.8)	0.90 (22.9)	1.81 (45.8)	1.55 (39.4)	3.95 (100.5)	1.6 (0.7)
¾"	Sweat Female	2.67 (67.7)	0.66 (21.8)	2.76 (70.1)	5.05 (128.1)	3.79 (96.3)	3.50 (88.9)	1.45 (36.9)	1.14 (28.9)	2.28 (57.8)	1.55 (39.4)	5.08 (128.9)	1.9 (0.9)
¾"	NPT Female	2.43 (61.8)	0.86 (21.8)	2.76 (70.1)	5.05 (128.1)	3.79 (96.3)	3.50 (88.9)	1.22 (30.9)	1.14 (28.9)	2.28 (57.8)	1.55 (39.4)	4.84 (123)	1.9 (0.9)
1"	Sweat Female	2.69 (68.4)	0.88 (22.4)	2.763 (70.2)	5.05 (128.2)	4.14 (105.2)	4.00 (101.6)	1.43 (36.2)	1.14 (29)	2.28 (57.9)	2.00 (50.8)	5.57 (141.6)	2.9 (1.3)
1"	NPT Female	2.35 (59.7)	0.88 (22.4)	2.763 (70.2)	5.05 (128.2)	4.14 (105.2)	4.00 (101.6)	1.08 (27.5)	1.14 (29)	2.28 (57.9)	2.00 (50.8)	5.23 (132.9)	2.9 (1.3)
1¼"	Sweat Female	3.56 (90.5)	1.09 (27.7)	3.141 (79.8)	5.81 (147.5)	4.94 (125.5)	5.38 (136.5)	1.71 (43.5)	1.52 (38.6)	3.04 (77.1)	2.00 (50.8)	5.23 (169)	3.9 (1.8)
1¼"	NPT Female	3.30 (83.7)	1.09 (27.7)	3.141 (79.8)	5.81 (147.5)	4.94 (125.5)	5.38 (136.5)	1.45 (36.7)	1.52 (38.6)	3.04 (77.1)	2.00 (50.8)	6.39 (162.2)	3.9 (1.8)
1½"	Sweat Female	4.36 (110.7)	1.12 (28.4)	3.42 (86.9)	6.37 (161.7)	5.76 (146.3)	5.50 (139.7)	2.25 (57)	1.80 (45.7)	3.60 (91.3)	2.52 (64)	8.00 (203.1)	5.2 (2.4)
1½"	NPT Female	4.01 (102)	1.12 (28.4)	3.42 (86.9)	6.37 (161.7)	5.76 (146.3)	5.50 (139.7)	1.90 (48.3)	1.80 (45.7)	3.60 (91.3)	2.52 (64)	7.65 (194.4)	5.2 (2.4)
2"	Sweat Female	4.72 (119.9)	1.21 (30.7)	3.685 (93.6)	6.90 (175.1)	6.97 (177.0)	6.00 (152.4)	2.10 (53.4)	2.06 (52.4)	4.13 (104.8)	3.14 (79.8)	9.07 (230.4)	7.7 (3.5)
2"	NPT Female	4.20 (106.7)	1.21 (30.7)	3.685 (93.6)	6.90 (175.1)	6.97 (177.0)	6.00 (152.4)	1.59 (40.3)	2.06 (52.4)	4.13 (104.8)	3.14 (79.8)	8.55 (217.2)	7.7 (3.5)

*All dimensions +/- 0.125 (3.2 mm) tolerance. Dimensions are subject to change. Not to be used for construction purposes unless certified.